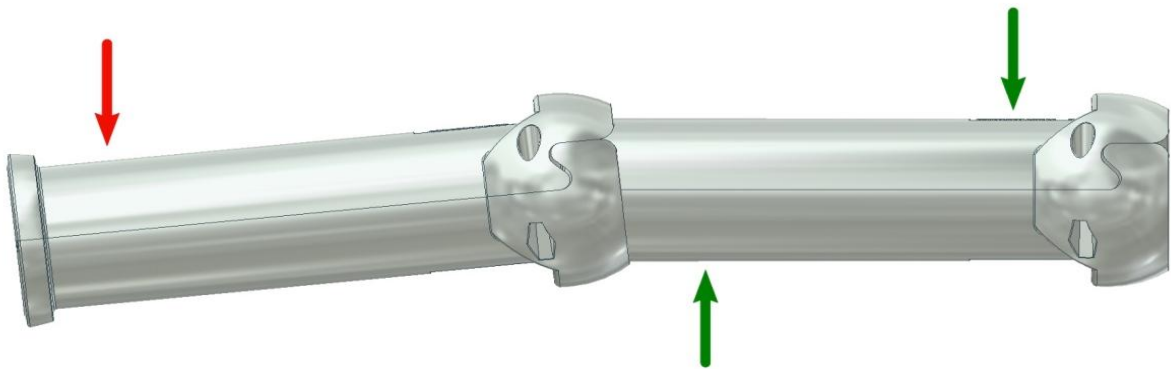




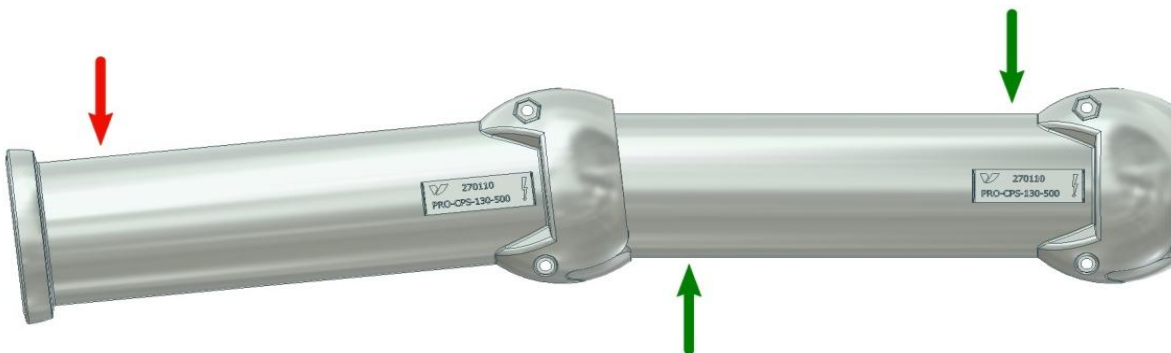
Pro CPS Bending test

Test Certificate

Version and date	Final	01-11-2010
Third party executive	Mennens Hengelo	
Tested product	CPS-130-500	
Material	EN-GJS-400-15 In accordance with EN 1563	



Test method 1	Split horizontal, force vertical, without bolts and nuts
Point of destruction	40 kN



Test method 3	Split vertical, force vertical, without bolts and nuts
Point of destruction	60 kN

Please do not hesitate to ask us for detailed information

Vos Prodect Innovations B.V.

Doordistel 1, 7891 WV Klazienaveen, The Netherlands

T +31 (0)591 315600 • F +31 (0)591 317828 • E info@vos-prodect.com