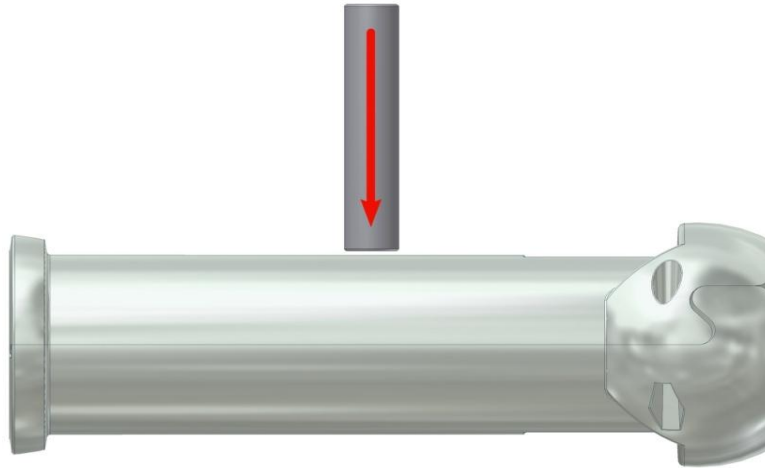




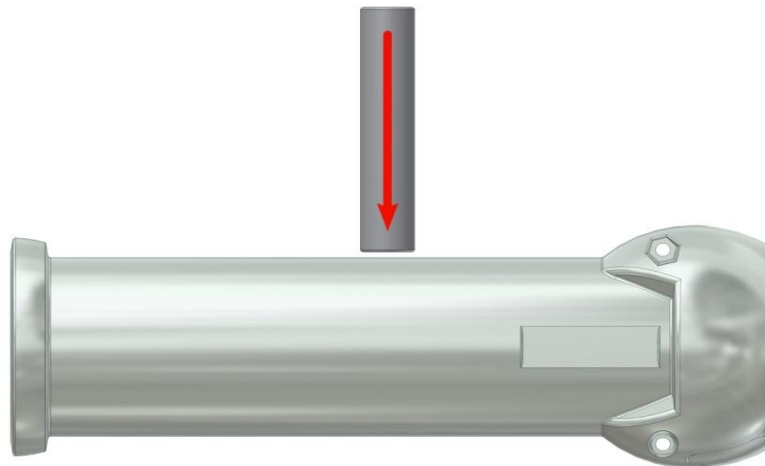
Pro CPS Side Force test

Test Certificate

Version and date	Final	01-11-2010
Test thorn diameter	85 mm round steel rod	
Third party executive	Istikamet Casting CO	
Tested product	CPS-115-500	
Material	EN-GJS-400-15 In accordance with EN 1563	



Test method 1	Split horizontal, force vertical
Point of deformation	20 Metric tonnes



Test method 2	Split vertical, force vertical
Point of deformation	17 Metric tonnes

Please do not hesitate to ask us for detailed information

Vos Prodect Innovations B.V.

Doordistel 1, 7891 WV Klazienaveen, The Netherlands

T +31 (0)591 315600 • F +31 (0)591 317828 • E info@vos-prodect.com